

Formatted: Font: 10 pt, Bold

**Balancing and Settlement Code**

**Code of Practice Five**

**CODE OF PRACTICE FOR THE METERING OF ENERGY TRANSFERS WITH A MAXIMUM DEMAND OF UP TO (AND INCLUDING) 1MW FOR SETTLEMENT PURPOSES**

**Issue 7**

**Version Version 22.021.0**

**DATE: 07 March 2025~~29 February 2024~~**

Formatted: Font: 14 pt, Bold

Formatted: Font: 10 pt, Bold

### Code of Practice Five

#### **CODE OF PRACTICE FOR THE METERING OF ENERGY TRANSFERS WITH A MAXIMUM DEMAND OF UP TO (AND INCLUDING) 1MW FOR SETTLEMENT PURPOSES**

1. Reference is made to the Balancing and Settlement Code for the Electricity Industry in Great Britain, and, in particular, to the definition of "Code of Practice" in Annex X.1 thereof.
2. This is Code of Practice Five, Issue 7, ~~Version 22.0~~~~Version 21.0~~.
3. This Code of Practice shall apply to Metering Systems comprising Metering Equipment that is subject to the requirements of Section L of the Balancing and Settlement Code.
4. This Code of Practice is effective from ~~07 March 2025~~~~29 February 2024~~.
5. This Code of Practice has been approved by the Panel.

#### **Intellectual Property Rights, Copyright and Disclaimer**

The copyright and other intellectual property rights in this document are vested in Elexon or appear with the consent of the copyright owner. These materials are made available for you for the purposes of your participation in the electricity industry. If you have an interest in the electricity industry, you may view, download, copy, distribute, modify, transmit, publish, sell or create derivative works (in whatever format) from this document or in other cases use for personal academic or other non-commercial purposes. All copyright and other proprietary notices contained in the document must be retained on any copy you make.

All other rights of the copyright owner not expressly dealt with above are reserved.

No representation, warranty or guarantee is made that the information in this document is accurate or complete. While care is taken in the collection and provision of this information, Elexon Limited shall not be liable for any errors, omissions, misstatements or mistakes in any information or damages resulting from the use of this information or action taken in reliance on it.

## AMENDMENT RECORD

ISSUE	DATE	VERSION	CHANGES	AUTHOR	APPROVED
1	4/12/92	1.00	Approved by Suppliers in General Meeting	CoP5 WG	
2	12/8/94	1.03	Revisions following comments from MSC	MSC-WG	At MSC 1/9/94
3	20/3/96	1.04	Revision for NPG	NPG-WG	MDC 63
4	26/10/96	1.06	Editorial Changes	MDC-WG	MDC 71
	31/12/96	1.07	Revisions for 1998 Market	C.A.	
	10/3/97	1.08	Revisions following legal advice	C.A.	
	8/4/97	1.09	Revisions following comments from SDG and the SSA	C.A.	
	16/5/97	1.10	Revisions for MIST trading	MSC-WG	
	19/8/97	1.11	Revisions for market post 01/04/98	C.A.	
	1/9/97	1.12	Amended following review by Expert Group and internally.	(C A Team)	
	26/9/97	1.13	Revisions following CoPSRP review	VG	
	25/3/98	1.14	Draft for MDC	CoPSRP	
	20/4/98	1.15	Post MDC revisions and CoPSRP on 17/4/98	CoPSRP	
5	1998 Operational Date	1.12	Amended following review by Expert Group and internally.	1998 Programme (CA Team)	
6	01/09/98	2.00	Harmonisation of Codes of Practice	CoPSRP	Approved at MDC88 4/6/98
6	Code Effective Date <sup>1</sup>	2.00	Re-badging of Code of Practice Five for the implementation of the Balancing and Settlement Code	BSCCo (Elexon Limited)	Panel 16/11/00 (Paper 07/003)
6	BETTA Effective Date	3.0	BETTA 6.3 and CP 794 for the SVA February 2005 Release	BSCCo	SVG/48/004
6	03/11/05	4.0	CP1100 for the SVA November 05 Release	BSCCo	SVG/56/004
6	28/02/08	5.0	CP1166 for the February 08 Release	BSCCo	SVG79/11
6	06/11/08	6.0	CP1238 for the November 08 Release	BSCCo	ISG88/01 SVG88/02

<sup>1</sup> "Code Effective Date" means the date of the Framework Agreement.

ISSUE	DATE	VERSION	CHANGES	AUTHOR	APPROVED
6	25/06/09	7.0	CP1264 for the June 09 Release	BSCCo	ISG94/01 SVG94/02
6	20/11/09	8.0	P238 Modification	BSCCo	Panel 160/05
6	26/11/09	9.0	P230 Modification	BSCCo	Panel
6	25/02/10	10.0	CP1296	BSCCo	ISG102/01 SVG102/01
6	23/02/12	11.0	CP1349 P266	BSCCo BSCCo	SVG127/05 SVG130/01
6	26/02/15	12.0	CP1422 – February 2015 Release	BSCCo	ISG163/01 SVG166/06
6	23/02/17	13.0	CP1470 – February 2017 Release	BSCCo	ISG185/02 SVG188/04
6	02/11/17	14.0	CP1479 – November 2017 Release CP1485 – November 2017 Release	BSCCo BSCCo	Panel 264/11 SVG196/06
6	27/06/19	15.0	CP1508 – June 2019 Release	BSCCo	SVG213/04 ISG210/02
6	01/09/21	16.0	P420 - September 2021 Non-Standard Release	BSCCo	P316/05
7	30/06/22	17.0	CP1527, CP1553, CP1554 – June 2022 Standard Release	BSCCo	ISG249/05 SVG251/04, SVG233/02, ISG231/01, ISG249/09 SVG251/09
7	17/11/22	18.0	P437 – 17 November 2022 Special Release	BSCCo	Panel 331/04
7	29/06/23	19.0	29 June 2023 Standard Release	BSCCo BSCCo	SVG263/03 ISG261/04 SVG263/04 ISG261/05
7	02/11/23	20.0	02 November 2023 Standard Release	BSCCo	Panel 338/03
7	29/02/24	21.0	29 February 2024 Standard Release	CP1586	SVG275/02 ISG273/03
<a href="#">7</a>	<a href="#">MHHS Milestone M8</a>	<a href="#">21.1</a>	<a href="#">MHHS Milestone M8</a>	<a href="#">P478</a>	

**CODE OF PRACTICE FOR THE METERING OF ENERGY TRANSFERS WITH A  
MAXIMUM DEMAND OF UP TO (AND INCLUDING) 1MW FOR SETTLEMENT  
PURPOSES**

<b>1. SCOPE</b>	<b>8</b>
<b>2. REFERENCES</b>	<b>9</b>
<b>3. DEFINITIONS AND INTERPRETATIONS</b>	<b>10</b>
3.1 Active Energy *	10
3.2 Active Power *	10
3.3 Actual Metering Point ‡	10
3.4 Apparent Energy ‡	10
3.5 Apparent Power ‡	10
3.6 Boundary Point *	11
3.7 CTN ‡	11
3.8 CVA Customer †	11
3.9 De-Energised ‡	11
3.10 Defined Metering Point ‡	11
3.11 Demand Period ‡	11
3.12 Demand Values ‡	11
3.13 Electricity *	11
3.14 Export †	11
3.15 Import †	12
3.16 Interrogation Unit ‡	12
3.17 Licensed Distribution System Operator (LDSO) *	12
3.18 Maximum Demand †	12
3.19 Meter *	12
3.20 Metering Equipment *	12
3.21 Meter Register ‡	12
3.22 Offshore Platform	12
3.23 Offshore Power Park Module	12
3.24 Outstation *	12
3.25 Outstation System ‡	13
3.26 Password ‡	13
3.27 PSTN ‡	13
3.28 Rated Measuring Current ‡	13
3.29 Reactive Energy *	13
3.30 Reactive Power *	13
3.31 Registrant *	13
3.32 Settlement Instation ‡	13
3.33 Single Line Diagram (SLD)	13
3.34 SVA Customer †	14
3.35 SVA Meter Operator Agent *	14
3.36 Systems Connection Point *	14
3.37 UTC *	14
<b>4. MEASUREMENT CRITERIA</b>	<b>15</b>
4.1 Measured Quantities and Demand Values for Metering Systems Registered in CMRS	15
4.2 Measured Quantities and Demand Values for Metering Systems Registered in SMRS	16
4.3 Accuracy Requirements	17
<b>5. METERING EQUIPMENT CRITERIA</b>	<b>19</b>

5.1	Measurement Transformers	19
5.2	Fusing and Testing Facilities	22
5.3	Meters	22
5.4	Displays and Facilities for Registrant or Supplier Information	23
5.5	Outstation	24
5.6	Communications	27
5.7	Appropriate Seals	29
5.8	Single Line Diagram	29
6.	<b>ASSOCIATED FACILITIES</b>	<b>31</b>
6.1	Interrogation Unit	31
6.2	Additional Features	31
7.	<b>ACCESS TO DATA</b>	<b>31</b>
<b>APPENDIX A DEFINED METERING POINTS</b>		<b>32</b>
<b>APPENDIX B LABELLING OF METERS FOR IMPORT AND EXPORT</b>		<b>34</b>
<b>APPENDIX C TYPICAL TESTING FACILITIES AND FUSING ARRANGEMENTS</b>		<b>37</b>
<b>APPENDIX D PASSWORDS</b>		<b>38</b>
<b>APPENDIX E OPTIONS FOR ENSURING METERS AND DISPLAYS CAN BE READ AND REMOTELY INTERROGATED</b>		<b>39</b>
1.	<b>SCOPE</b>	<b>7</b>
2.	<b>REFERENCES</b>	<b>8</b>
3.	<b>DEFINITIONS AND INTERPRETATIONS</b>	<b>9</b>
3.1	Active Energy *	9
3.2	Active Power *	9
3.3	Actual Metering Point ‡	9
3.4	Apparent Energy ‡	9
3.5	Apparent Power ‡	9
3.6	Boundary Point *	10
3.7	CTN ‡	10
3.8	CVA Customer †	10
3.9	De Energised ‡	10
3.10	Defined Metering Point ‡	10
3.11	Demand Period ‡	10
3.12	Demand Values ‡	10
3.13	Electricity *	10
3.14	Export †	10
3.15	Import †	11
3.16	Interrogation Unit ‡	11
3.17	Licensed Distribution System Operator (LDSO) *	11
3.18	Maximum Demand †	11
3.19	Meter *	11
3.20	Metering Equipment *	11
3.21	Meter Register ‡	11
3.22	Offshore Platform	11
3.23	Offshore Power Park Module	11

**Formatted:** Font: 10 pt, Bold**Formatted:** Default Paragraph Font, Font: Bold, Check spelling and grammar**Formatted:** Default Paragraph Font, Font: Bold, Check spelling and grammar**Formatted:** Default Paragraph Font, Font: Bold, Check spelling and grammar**Formatted:** Default Paragraph Font, Check spelling and grammar**Formatted:** Default Paragraph Font, Check spelling and grammar**Formatted:** Default Paragraph Font, Check spelling and grammar**Formatted:** Default Paragraph Font, Check spelling and grammar**Formatted:** Default Paragraph Font, Check spelling and grammar**Formatted:** Default Paragraph Font, Check spelling and grammar**Formatted:** Default Paragraph Font, Check spelling and grammar**Formatted:** Default Paragraph Font, Check spelling and grammar**Formatted:** Default Paragraph Font, Check spelling and grammar**Formatted:** Default Paragraph Font, Check spelling and grammar**Formatted:** Default Paragraph Font, Check spelling and grammar**Formatted:** Default Paragraph Font, Check spelling and grammar**Formatted:** Default Paragraph Font, Check spelling and grammar**Formatted:** Default Paragraph Font, Check spelling and grammar**Formatted:** Default Paragraph Font, Check spelling and grammar**Formatted:** Default Paragraph Font, Check spelling and grammar**Formatted:** Default Paragraph Font, Check spelling and grammar**Formatted:** Default Paragraph Font, Check spelling and grammar**Formatted:** Default Paragraph Font, Check spelling and grammar**Formatted:** Default Paragraph Font, Check spelling and grammar**Formatted:** Default Paragraph Font, Check spelling and grammar**Formatted:** Default Paragraph Font, Check spelling and grammar**Formatted:** Default Paragraph Font, Check spelling and grammar**Formatted:** Font: 10 pt, Bold

~~3.24~~ ~~Outstation \*~~ ~~11~~

~~3.25~~ ~~Outstation System †~~ ~~12~~

~~3.26~~ ~~Password †~~ ~~12~~

~~3.27~~ ~~PSTN †~~ ~~12~~

~~3.28~~ ~~Rated Measuring Current †~~ ~~12~~

~~3.29~~ ~~Reactive Energy \*~~ ~~12~~

~~3.30~~ ~~Reactive Power \*~~ ~~12~~

~~3.31~~ ~~Registrant \*~~ ~~12~~

~~3.32~~ ~~Settlement Instation †~~ ~~12~~

~~3.33~~ ~~Single Line Diagram (SLD)~~ ~~12~~

~~3.34~~ ~~SVA Customer †~~ ~~13~~

~~3.35~~ ~~SVA Meter Operator Agent \*~~ ~~13~~

~~3.36~~ ~~Systems Connection Point \*~~ ~~13~~

~~3.37~~ ~~UTC \*~~ ~~13~~

~~4.~~ ~~MEASUREMENT CRITERIA~~ ~~14~~

~~4.1~~ ~~Measured Quantities and Demand Values for Metering Systems Registered in CMRS~~ ~~14~~

~~4.2~~ ~~Measured Quantities and Demand Values for Metering Systems Registered in SMRS~~ ~~15~~

~~4.3~~ ~~Accuracy Requirements~~ ~~16~~

~~5.~~ ~~METERING EQUIPMENT CRITERIA~~ ~~18~~

~~5.1~~ ~~Measurement Transformers~~ ~~18~~

~~5.2~~ ~~Fusing and Testing Facilities~~ ~~21~~

~~5.3~~ ~~Meters~~ ~~21~~

~~5.4~~ ~~Displays and Facilities for Registrant or Supplier Information~~ ~~22~~

~~5.5~~ ~~Outstation~~ ~~23~~

~~5.6~~ ~~Communications~~ ~~26~~

~~5.7~~ ~~Appropriate Seals~~ ~~28~~

~~5.8~~ ~~Single Line Diagram~~ ~~28~~

~~6.~~ ~~ASSOCIATED FACILITIES~~ ~~30~~

~~6.1~~ ~~Interrogation Unit~~ ~~30~~

~~6.2~~ ~~Additional Features~~ ~~30~~

~~7.~~ ~~ACCESS TO DATA~~ ~~30~~

~~APPENDIX A~~ ~~DEFINED METERING POINTS~~ ~~31~~

~~APPENDIX B~~ ~~LABELLING OF METERS FOR IMPORT AND EXPORT~~ ~~33~~

~~APPENDIX C~~ ~~TYPICAL TESTING FACILITIES AND FUSING ARRANGEMENTS~~ ~~36~~

~~APPENDIX D~~ ~~PASSWORDS~~ ~~37~~

~~APPENDIX E~~ ~~OPTIONS FOR ENSURING METERS AND DISPLAYS CAN BE READ AND REMOTELY INTERROGATED~~ ~~38~~

Formatted: Font: 10 pt, Bold

Formatted: Default Paragraph Font, Check spelling and grammar

Formatted: Default Paragraph Font, Check spelling and grammar

Formatted: Default Paragraph Font, Check spelling and grammar

Formatted: Default Paragraph Font, Check spelling and grammar

Formatted: Default Paragraph Font, Check spelling and grammar

Formatted: Default Paragraph Font, Check spelling and grammar

Formatted: Default Paragraph Font, Check spelling and grammar

Formatted: Default Paragraph Font, Check spelling and grammar

Formatted: Default Paragraph Font, Check spelling and grammar

Formatted: Default Paragraph Font, Check spelling and grammar

Formatted: Default Paragraph Font, Check spelling and grammar

Formatted: Default Paragraph Font, Check spelling and grammar

Formatted: Default Paragraph Font, Check spelling and grammar

Formatted: Default Paragraph Font, Check spelling and grammar

Formatted: Default Paragraph Font, Check spelling and grammar

Formatted: Default Paragraph Font, Check spelling and grammar

Formatted: Default Paragraph Font, Check spelling and grammar

Formatted: Default Paragraph Font, Check spelling and grammar

Formatted: Default Paragraph Font, Check spelling and grammar

Formatted: Default Paragraph Font, Check spelling and grammar

Formatted: Default Paragraph Font, Check spelling and grammar

Formatted: Default Paragraph Font, Check spelling and grammar

Formatted: Default Paragraph Font, Check spelling and grammar

Formatted: Default Paragraph Font, Check spelling and grammar

Formatted: Default Paragraph Font, Check spelling and grammar

Formatted: Default Paragraph Font, Check spelling and grammar

Formatted: Default Paragraph Font, Check spelling and grammar

Formatted: Default Paragraph Font, Check spelling and grammar

Formatted: Default Paragraph Font, Check spelling and grammar

Formatted: Default Paragraph Font, Check spelling and grammar

Formatted: Default Paragraph Font, Check spelling and grammar

Formatted: Default Paragraph Font, Check spelling and grammar

Formatted: Default Paragraph Font, Check spelling and grammar

Formatted: Default Paragraph Font, Check spelling and grammar

Formatted: Default Paragraph Font, Check spelling and grammar

Formatted: Default Paragraph Font, Check spelling and grammar

Formatted: Default Paragraph Font, Check spelling and grammar

Formatted: Font: 10 pt, Bold

## FOREWORD

This Code of Practice defines the minimum requirements for the Metering Equipment required for the measurement and recording of electricity transfers occurring at the relevant Defined Metering Points (DMPs) where the Maximum Demand, at the Actual Metering Points (AMPs) does not exceed 1MW.

The BSCCo shall retain copies of, inter alia, the Code of Practice together with copies of all documents referred to in them, in accordance with the provisions of the Balancing and Settlement Code (the Code).

### 1. SCOPE

This Code of Practice states the practices that shall be employed, and the facilities that shall be provided for the measurement and recording of the quantities required for Settlement purposes.

This Code of Practice specifically applies to the Metering Equipment to be installed on each circuit where the Maximum Demand of the electricity being transferred, at the AMP, does not exceed 1MW.

For the avoidance of doubt, where the DMP, as set out in Appendix A, and the AMP do not coincide, the relevant Code of Practice is associated with the circuit that is being metered (located at the AMP), as opposed to the relevant Code of Practice associated with the circuit at the DMP.

This Code of Practice applies equally to "whole current" metering and metering supplied via measurement transformers operating at high or low voltages.

It derives force from the Code, and in particular the metering provisions (Section L, to which reference should be made. It should also be read in conjunction with the relevant BSC Procedures.

Metering Equipment that meets the requirements of this Code of Practice is also applicable where the Registrant is required by its Supply Licence (and as referenced in Section L 3.2.6) to install Metering Equipment that is capable of providing measured electricity consumption data for multiple periods (at least half hourly) and providing the Registrant with remote access to such data.

Outstations shall, as a minimum, be capable of interrogation by the Settlement instation. In addition, Outstations may deliver metering data to the Settlement instation providing that the requirements of this Code of Practice are met.

This Code of Practice does not contain the calibration, testing and commissioning requirements for Metering Equipment used for Settlement purposes. These requirements are detailed in Code of Practice Four - "Code of Practice for Calibration, Testing and Commissioning Requirements for Metering Equipment for Settlement Purposes".

Dispensations from the requirements of this Code of Practice may be sought in accordance with the Code and BSCP32.



Meters and Outstations referred to in this Code of Practice shall only achieve successful compliance in respect of any testing detailed in this Code of Practice if the requirements set out in accordance with BSCP601 are also observed and successfully completed or a valid Metering Dispensation has been granted covering any departure from the requirements as detailed in this Code of Practice.

Generic Metering Dispensations applicable to this Code of Practice are located on the [BSC Website](#).

In the event of an inconsistency between the provisions of this Code of Practice and the Code, the provisions of the Code shall prevail.

## 2. REFERENCES

The following documents are referred to in the text<sup>2</sup>, except in relation to measurement transformers where one of the conditions, set out in Section 5.1, is met:-

BS EN 50470 – 3	Electricity metering equipment (a.c.) - Part 3: Particular requirements – Static meters for active energy (class indexes A, B and C)
BS EN/IEC 62053-21	AC Static Watthour Meters for Active Energy (Classes 1 and 2)
BS EN/IEC 62053-11	Class 0.5, 1 and 2 Alternating Current Watt-Hour Meters.
BS 7856	Code of Practice for Design of Alternating Current Watt-Hour Meters for Active Energy (Classes 1 & 2)
BS EN/IEC 62053-23	Alternating Current Static Var-Hour Meters for Reactive Energy (Classes 2 and 3).
BS EN/IEC 61869-4	Instrument Transformers - Combined Transformers
BS EN/IEC 61869-2	Current Transformers
BS EN/IEC 61869-3	Voltage Transformers
BS EN/IEC 62056-21	Data Exchange for Meter Reading, Tariff and Load Control. Direct Local Exchange.
Balancing and Settlement Code	Section X; Annex X-1 and Section L and BSC Procedures
Code of Practice Four	Code of Practice for Calibration, Testing and Commissioning Requirements for Metering Equipment for Settlement Purposes
BSC Procedures	See BSC Procedures Index
Electricity Act 1989	Schedule 7, as amended by Schedule 1, to the Competition and Services (Utilities) Act 1992.

<sup>2</sup> Metering Equipment should be tested and stamped to the latest iteration of the applicable standard named in this document at the time of initial registration.

Meter Operation Code of Practice Agreement	Agreement between Meter Operators and Distribution Businesses governing arrangements for safety and technical competence in accordance with the Retail Energy Code
Standard Frequency and Time Signal Emission	International Telecommunication Union - RTF.460 (ISBN92-61-05311-4)
Retail Energy Code or REC	As per the term “Retail Energy Code” in each Supply Licence granted under Section 6 of the Electricity Act 1989.
REC Metering Operations Schedule	Schedule 14 of the REC on obligations in respect of metering operations.

### 3. DEFINITIONS AND INTERPRETATIONS

Save as otherwise expressly provided herein, words and expressions used in this Code of Practice shall have the meanings attributed to them in the Code and are included for the purpose of clarification.

Note: \* indicates definitions in the Code.

Note: † indicates definitions which supplement or complement those in the Code.

Note: ‡ indicates definitions specific to this Code of Practice.

#### 3.1 Active Energy \*

Active Energy means the electrical energy produced, flowing or supplied by an electric circuit during a time interval, being the integral with respect to time of the instantaneous Active Power, measured in units of watt-hours or standard multiples thereof.

#### 3.2 Active Power \*

Active Power means the product of voltage and the in-phase component of alternating current measured in units of watts and standard multiples thereof, that is:-

$$1,000 \text{ Watts} = 1 \text{ kW}$$

$$1,000 \text{ kW} = 1 \text{ MW}$$

#### 3.3 Actual Metering Point ‡

Actual Metering Point means the physical location at which electricity is metered.

#### 3.4 Apparent Energy ‡

Apparent Energy means the integral with respect to time of the Apparent Power.

#### 3.5 Apparent Power ‡

Apparent Power means the product of voltage and current measured in units of volt-amperes and standard multiples thereof, that is:-

1,000 VA = 1 kVA

1,000 kVA = 1 MVA

### 3.6 Boundary Point \*

Boundary Point means a point at which any Plant or Apparatus not forming part of the Total System is connected to the Total System.

### 3.7 CTN ‡

CTN means the Electricity Supply Industry (ESI) corporate telephone network.

### 3.8 CVA Customer †

CVA Customer means any customer, receiving electricity directly from the Transmission System, irrespective of from whom it is supplied.

### 3.9 De-Energised ‡

De-Energised means the temporary removal of the supply at a Defined Metering Point (e.g. the main circuit connections to the Public Distribution System Operator's network are still made) such that all or part of the Metering Equipment is considered to be temporarily "inactive" for the purposes of Settlement. e.g. unoccupied premises where the incoming switchgear has been opened or the cut-out fuse(s) removed.

### 3.10 Defined Metering Point ‡

Defined Metering Point means the physical location at which the overall accuracy requirements as stated in this Code of Practice are to be met. The Defined Metering Points are identified in Appendix A.

### 3.11 Demand Period ‡

Demand Period means the period over which Active Energy, Reactive Energy or Apparent Energy are integrated to produce stored energy values. For Settlement purposes, unless the context requires otherwise, each Demand Period shall be of 30 minutes duration, one of which shall finish at 24:00 hours.

### 3.12 Demand Values ‡

Demand Values means, expressed in kW, kvar or kVA, twice the value of kWh, kvarh or kVAh recorded during any Demand Period. The Demand Values are half hour demands and these are identified by the time of the end of the Demand Period.

### 3.13 Electricity \*

"electricity" means Active Energy and Reactive Energy.

### 3.14 Export †

Export means, for the purposes of this Code of Practice, an electricity flow as indicated in Figure 1 of Appendix B.

### 3.15 Import †

Import means, for the purposes of this Code of Practice, an electricity flow as indicated in Figure 1 of Appendix B.

### 3.16 Interrogation Unit ‡

Interrogation Unit means a Hand Held Unit "HHU" (also known as Local Interrogation Unit LIU") or portable computer which can enter Metering Equipment parameters and extract information from the Metering Equipment and store this for later retrieval.

### 3.17 Licensed Distribution System Operator (LDSO) \*

Licensed Distribution System Operator means a Party which holds a Distribution Licence in respect of distribution activities in Great Britain, acting in that capacity.

### 3.18 Maximum Demand †

Maximum Demand expressed in kW or kVA means twice the greatest number of kWh or kVAh recorded during any Demand Period.

### 3.19 Meter \*

Meter means a device for measuring Active Energy and/or Reactive Energy.

### 3.20 Metering Equipment \*

Metering Equipment means Meters, measurement transformers (voltage, current or combination units), metering protection equipment including alarms, circuitry, associated Communications Equipment and Outstation and wiring.

### 3.21 Meter Register ‡

Meter Register means a device, normally associated with a Meter, from which it is possible to obtain a reading of the amount of Active Energy, or the amount of Reactive Energy that has been supplied by a circuit.

### 3.22 Offshore Platform

Has the meaning given to that term in the Grid Code.

### 3.23 Offshore Power Park Module

Has the meaning given to that term in the Grid Code.

### 3.24 Outstation \*

[\[P478\]](#) Outstation means equipment which receives and stores data from a Meter(s) for the purpose, inter-alia, of transfer of that metering data to the Central Data Collector

Agent (CDCA), ~~or~~ Data Collector or Data Service Agent as the case may be and which may perform some processing before such transfer and may be in one or more separate units or may be integral with the Meter.

### 3.25 Outstation System ‡

Outstation System means one or more Outstations linked to a single communication line. For clarification, where there is no physical communication line (i.e. SMS) the point of connection to the communication system shall be deemed as the communications line.

### 3.26 Password ‡

Password means a string of characters of length no less than six characters and no more than twelve characters, where each character is a case insensitive or sensitive alpha character (A to Z) or a digit (0 to 9) or the underscore character (\_). Passwords must have a minimum of 2,000,000,000 combinations, for example six characters if composed of any alphanumeric characters or eight characters if composed only of hexadecimal characters (0 to F). The characters of a hexadecimal password must be in upper case.

### 3.27 PSTN ‡

PSTN means the public switched telephone network.

### 3.28 Rated Measuring Current ‡

Rated Measuring Current means the rated primary current of the current transformers in primary plant used for the purposes of measurement.

### 3.29 Reactive Energy \*

Reactive Energy means the integral with respect to time of the Reactive Power and for the purpose of the Code, is comprised of Active Export Related Reactive Energy and Active Import Related Reactive Energy.

### 3.30 Reactive Power \*

Reactive Power means the product of voltage and current and the sine of the phase angle between them measured in units of volt-amperes reactive and standard multiples thereof.

### 3.31 Registrant \*

Registrant means in relation to a Metering System, the person for the time being registered in CMRS or (as the case may be) SMRS in respect of that Metering System pursuant to Section K of the Balancing and Settlement Code.

### 3.32 Settlement Instation ‡

[P478] Settlement Instation means a computer based system which collects or receives data on a routine basis from selected Outstation Systems by a Data Collector or Data Service Agent.

### 3.33 Single Line Diagram (SLD)

SLD means simplified notation for representing a three-phase power system that must show the location of all relevant circuits and the Metering Equipment associated with a site.

### 3.34 SVA Customer †

means a person to whom electrical power is provided, whether or not that person is the provider of that electrical power; and where that electrical power is measured by a SVA Metering System.

### 3.35 SVA Meter Operator Agent \*

SVA Meter Operator Agent has the meaning given to the term "Metering Equipment Manager" in the REC, to the extent that the Metering Equipment Manager has been appointed by a Supplier.

### 3.36 Systems Connection Point \*

Systems Connection Point means a point of connection (whether consisting of one or more circuits) between two or more Systems excluding:

- a) a point of connection between Distribution Systems in the same GSP Group; and
- b) a point of connection between Offshore Transmission System User Assets and the Transmission System;

### 3.37 UTC \*

UTC means Co-ordinated Universal Time which bears the same meaning as in the document Standard Frequency and Time Signal Emission, International Telecommunication Union - RTF.460(ISBN92-61-05311-4) (colloquially referred to as Rugby Time).

#### 4. MEASUREMENT CRITERIA

The following measured quantities and Demand Values are for use with CVA Metering Systems.

##### 4.1 Measured Quantities and Demand Values for Metering Systems Registered in CMRS

###### 4.1.1 Measured Quantities

For each separate circuit the following energy measurements are required for Settlement purposes:-

- (i) Import MWh\*
- (ii) Export MWh\*
- (iii) Import Mvarh\*
- (iv) Export Mvarh\*

###### 4.1.2 Demand Values

For each Demand Period for each circuit the following Demand Values shall be provided:-

- (i) Import MW\*
- (ii) Export MW\*
- (iii) Import Mvar
- (iv) Export Mvar

\* Import and/or Export metering need only be installed where a Party requires this measurement to meet system or plant conditions.

Where Import and Export metering is installed gross Import and gross Export Active Energy shall be recorded separately for Settlements.

For multiple circuit connections between Parties the configuration of the Metering Equipment shall be agreed in advance with the Panel.

## 4.2 Measured Quantities and Demand Values for Metering Systems Registered in SMRS

SVA Metering Systems shall use units a factor of  $10^3$  smaller than CVA i.e. kWh rather than MWh.

### 4.2.1 Measured Quantities

For each separate circuit the following energy measurements are required for Settlement purposes:-

- (i) Import kWh \*
- (ii) Export kWh \*
- (iii) Active Import related Import kvarh
- (iv) Active Import related Export kvarh
- (v) Active Export related Import kvarh
- (vi) Active Export related Export kvarh

### 4.2.2 Demand Values

For each Demand Period for each circuit the following Demand Values shall be provided:-

- (i) Import kW \*
- (ii) Export kW \*
- (iii) Active Import related Import kvar
- (iv) Active Import related Export kvar
- (v) Active Export related Import kvar
- (vi) Active Export related Export kvar

\* Import or Export metering need only be installed where a Party requires this measurement to meet system or plant conditions. However both Import and Export reactive measurements shall be provided for each Active measurement.



### 4.3 Accuracy Requirements

#### 4.3.1 Overall Accuracy

The overall accuracy of the energy measurements at, or referred to, the Defined Metering Point shall at all times be within the limits of error as shown:-

(i) Active Energy

CONDITION	LIMIT OF ERRORS AT STATED SYSTEM POWER FACTOR	
	Power Factor	Limits of Error
Current expressed as a percentage of Rated Measuring Current *		
100% to 20% inclusive	1	± 1.5%
Below 20% to 5%	1	± 2.5%
100% to 20% inclusive	0.5 lag and 0.8 lead	± 2.5%

\* for whole current metering percentage relates to  $I_{max}$ .

(ii) Reactive Energy

CONDITION	LIMIT OF ERRORS AT STATED SYSTEM POWER FACTOR	
	Power Factor	Limits of Error
Current expressed as a percentage of Rated Measuring Current *		
100% to 20% inclusive	Zero	± 4.0%
100% to 20% inclusive	0.866 lag and 0.866 lead	± 5.0%

\* for whole current metering percentage relates to  $I_{max}$ .

These limits of error for both (i) and (ii) above shall apply at the reference conditions defined in the appropriate Meter specification.

Where Plant operating conditions mean the percentage of Rated Measuring Current and/or system power factor are outside the combinations specified in the overall accuracy tables for (i) and (ii), care must be taken to ensure the actual errors are

considered at those Plant operating conditions. For example, where a site which normally Exports large quantities of Active Energy, but, when not generating, Imports Active Energy at a percentage of Rated Measuring Current below 1%, irrespective of the power factor. This could also mean the Active Energy Meter and the Reactive Energy Meter are inaccurate. If necessary, designers should take measures, wherever reasonably practicable, to ensure the actual errors are within the nearest limits of error specified in the relevant overall accuracy table, by for example, the use of more accurate Metering Equipment than specified in this Code of Practice or the selection of a suitable current transformer ratio closely aligned to the maximum primary current for the relevant circuit.

Evidence to substantiate that these overall accuracy requirements are met shall be available for inspection to either the Panel or the Technical Assurance Agent.

#### 4.3.2 Compensation for Measurement Transformer Error

To achieve the overall accuracy requirements it may be necessary to compensate Meters for the errors of the measurement transformers and the associated leads to the Meters. Values of the compensation shall be recorded and evidence to justify the compensation criteria, including wherever possible test certificates<sup>3</sup>, shall be available for inspection by either the Panel or the Technical Assurance Agent.

#### 4.3.3 Compensation for Power Transformer and Line Losses

Subject to Appendix A paragraph 5(ii), where the AMP and the DMP do not coincide and accuracy compensation for power transformer and/or cable/line and/or busbar losses is required to be applied to meet the overall accuracy limits of error requirements in paragraph 4.3.1 at the DMP then a Metering Dispensation shall be applied for.

Where the AMP and DMP do not coincide, but no accuracy compensation for power transformer and/or cable/line and/or busbar losses is required to be applied to meet overall accuracy limits of error at the DMP (i.e. the distance between the AMP and DMP does not introduce a large enough error to cause the Metering System's overall accuracy to be outside of the limits of error detailed in paragraph 4.3.1 of this relevant Code of Practice), then a Metering Dispensation shall not be required. The Registrant shall ensure that values of the overall accuracy calculation shall be recorded and evidence to justify no accuracy compensation being required, including wherever possible test certificates, shall be available for inspection by the Panel or Technical Assurance Agent.

Where Appendix A paragraph 5(ii) applies a Metering Dispensation shall not be required and accuracy compensation for power transformer and/or cable/line and/or busbar losses (for the purpose of Section K1.1.6 of the Code) shall, where necessary, be applied to meet the overall accuracy limits of error required at the DMP.

The accuracy compensation may be achieved in the Metering Equipment and in this event the provided or applied values shall be validated in accordance with BSCP32 'Metering Dispensations' and recorded. Supporting evidence to justify the accuracy

<sup>3</sup> Regardless of class accuracy of measurement transformers if compensation has been applied to the Meters all calibration certificates shall be retained

compensation criteria shall be available for inspection by either the Panel or the Technical Assurance Agent.

Alternatively, the accuracy compensation may be provided or applied in the software of the relevant data aggregation system used for Settlement purposes. In this event the factors shall be validated in accordance with BSCP32 'Metering Dispensations', passed to the appropriate agency and evidence to justify the accuracy compensation criteria shall be made available for inspection by either the Panel or the Technical Assurance Agent.

Where the AMP associated with a Settlement Metering System, is below the AMP associated with another Settlement Metering System, a differencing metering arrangement shall be used. For Metering Systems registered in CMRS this shall be done in accordance with BSCP75 'Registration of Meter Aggregation Rules For Volume Allocation Units'. For Metering Systems registered in SMRS this shall be done in accordance with the Metering Operations Schedule of the Retail Energy Code (REC) and BSCP502 'Half Hourly Data Collection for SVA Metering Systems Registered in SMRS', via a Complex Site Supplementary Information Form<sup>4</sup>.

## 5. METERING EQUIPMENT CRITERIA

Although for clarity this Code of Practice identifies separate items of equipment, nothing in it prevents such items being combined to perform the same task provided the requirements of this Code of Practice are met.

Metering Equipment other than outdoor measurement transformers, shall be accommodated in a clean and dry environment.

For each circuit, other than one which is permanently disconnected, the voltage supply to any Meters, Displays and Outstations shall be connected such that it is normally energised to facilitate reading of the Meter Register(s) and Local and Remote Interrogation of the Outstation. (see Appendix E).

Where an Outstation is storing data for more than one circuit and the Outstation power supply is from these circuits then a voltage selection relay scheme using each circuit involved shall be provided.

### 5.1 Measurement Transformers

All measurement transformers shall be of a wound construction.

For each circuit where current transformers (CT) and/or voltage transformers (VT) are used, they shall meet the requirements set out in clauses 5.1.1 and 5.1.2.

The number of CTs provided shall be equal to or one less than the number of primary system conductors. These include the neutral conductor and/or earth conductor, where system configurations enable the flow of zero sequence energy. Consideration shall be given as to whether a VT neutral is required to be provided, depending on the number of CTs provided.

<sup>4</sup> Refer to 'Guide to Complex Sites' section in [BSCP502](#).

Where a measurement transformer has been tested and stamped to an iteration of the applicable BS EN/IEC standard and that differs from the version referenced in this Code of Practice (i.e. BS EN/IEC 61869-2; BS EN/IEC 61869-3; BS EN/IEC 61869-4) measurement transformers may still be used providing the requirements in clause 4.3.1 are met and if one of the following conditions is met:

- All measurement transformers purchased post implementation<sup>5</sup> of the latest applicable BS EN/IEC standard should be manufactured in accordance with that version of the BS EN/IEC standard that has superseded the version of the BS EN/IEC standard referenced in this Code of Practice (i.e. BS EN/IEC 61869-2; BS EN/IEC 61869-3; BS EN/IEC 61869-4). **This is only for measurement transformers where the same accuracy class is available and limits of error and phase displacement have not changed from the BS EN/IEC standard referenced in this Code of Practice (i.e. BS EN/IEC 61869-2; BS EN/IEC 61869-3; BS EN/IEC 61869-4); or**
- All measurement transformers purchased prior to the implementation<sup>6</sup> of the latest version of the applicable BS EN/IEC standard referenced in this Code of Practice (i.e. BS EN/IEC 61869-2; BS EN/IEC 61869-3; BS EN/IEC 61869-4) should be in accordance with the previous version of the applicable BS EN/IEC standard that the latest version has superseded. **This is only for stocks of measurement transformers held to be used up and does not allow measurement transformers compliant with an older version of a BS EN/IEC standard where the same accuracy class is not available or limits of error and phase displacement have changed to be used.**

Additionally, where a combined unit measurement transformer (VT & CT) is provided the 'Tests for Accuracy' as covered in of BS EN/IEC 61869-4 covering mutual influence effects shall be met.

#### 5.1.1 Current Transformers

Where required, one set of current transformers to BS EN/IEC 61869-2 with a minimum standard of accuracy to class 0.5S, shall be provided per circuit. Preferably, the current transformers shall be dedicated for Settlement purposes, but the CTs may be used for other purposes provided the overall accuracy requirements in clause 4.3.1 are met and evidence of the value of the additional burden is available for inspection by the Panel or the Technical Assurance Agent.

The rated primary current value chosen for the current transformer shall be of a suitable value to ensure, under all running conditions wherever reasonably practicable, that the Rated Measuring Current (expressed as a percentage) does not fall below 1% or exceed 120%.

Additional burden can be added to the current transformers supplying the Meter for the purpose of ensuring that overall accuracy of the energy measurements is within the

<sup>5</sup> This condition is in effect until this Code of Practice has been updated to reference the latest versions of the applicable BS EN/IEC standard.  
<sup>6</sup> This condition is in effect from when this Code of Practice has been updated to reference the latest versions of the applicable BS EN/IEC standard.

limits of error in paragraph 4.3.1, for example by bringing the total burden within the value from 25 % to 100 % of the rated output that the limits of ratio error and phase displacement are specified for in BS EN/IEC 61869-2. The additional burden shall not be modified without prior notification to the Panel, and evidence of the value of the modified additional burden shall be available for inspection by either the Panel or the Technical Assurance Agent.

CT test certificates showing errors at the overall working burden or at burdens which enable the working burden errors to be calculated shall be available for inspection by either the Panel or the Technical Assurance Agent. Where CT test certificates are not available and the CTs can be verified as class 0.5S or better and are installed on an LV installation, the extreme errors for the accuracy class shall be assumed.

The total burden on each current transformer shall not exceed the rated burden of such CT.

#### 5.1.2 Voltage Transformers

Where required a voltage transformer to BS EN/IEC 61869-3 with a minimum standard of accuracy to class 1 shall be provided for the metering of a circuit. The voltage transformer may be used for other purposes provided the overall accuracy requirements in clause 4.3.1 are met and evidence of the value of the additional burden is available for inspection by either the Panel or the Technical Assurance Agent.

Additional burden can also be added to the voltage transformers supplying the Meters for the purpose of ensuring that overall accuracy of the energy measurements is within the limits of error in paragraph 4.3.1, for example by bringing the total burden within the value from 25 % to 100 % of the rated output that the limits of ratio error and phase displacement that are specified for in BS EN/IEC 61869-3. The additional burden shall not be modified without prior notification to the Panel, and evidence of the value of the modified additional burden shall be available for inspection by either the Panel or the Technical Assurance Agent.

A VT test certificate(s) showing errors at the overall working burden(s) or at burdens which enable the working burden errors to be calculated shall be available for inspection by either the Panel or the Technical Assurance Agent.

The total burden on each secondary winding of a VT shall not exceed the rated burden of such secondary winding.

The VT supplies shall be fused as close as practicable to the VT, with a set of isolating links, suitably identified provided locally to the Metering Equipment.

#### 5.1.3 Measurement Transformers Installed on Existing Circuits

Where circuits, other than those newly installed, are to be metered to this Code of Practice and where the installed measurement transformers do not comply with the Class accuracies specified in clauses 5.1.1 & 5.1.2, then such measurement transformers may be used providing the following requirements and those in clause 4.3.1 are met.

- (i) Where subsequently a significant alteration to the primary plant (e.g. a switchgear change) is carried out, new measurement transformers as detailed in clauses 5.1.1 and 5.1.2, shall be provided.
- (ii) In all other respects the requirements of clauses 5.1.1 and 5.1.2 are met, except that where test certificates are not available other documentary evidence as referred to in clause 4.2.2 shall be available.

## 5.2 Fusing and Testing Facilities

Where current and/or voltage transformers are used, testing facilities shall be provided close by the Meters of each circuit, which enables such Meters to be routinely tested and /or changed safely with the circuit energised. (see Appendix C).

Separate fusing shall be provided locally for:-

- (i) the Meter
- (ii) any other Settlement Metering Equipment burden
- (iii) any other Equipment burden e.g. non-Pool Meters, protection, etc.

Local fusing shall discriminate with the source fusing.

A typical arrangement is illustrated in Appendix C.

Where Current Transformers are used on low voltage installations, the voltage supply to the Metering Equipment shall be fused as close as practicable to the point of that supply with a set of isolating links provided locally, suitably identified, to the Metering Equipment. If that point of supply is close to the Metering Equipment, then the isolating links may be omitted.

## 5.3 Meters

The Meters may be either static or induction disc types.

For each circuit, Active Energy Meters shall be supplied which shall meet the requirements of either BS EN/IEC 62053-21 class 1 or BS EN 50470-3 class B or BS EN/IEC 62053-11 and BS 7856 class 1.

Active Energy Meters provided for the metering of supplies to customers shall be in accordance with Schedule 7 of the Electricity Act 1989.

For each circuit, Reactive Energy Meter(s) shall be supplied which shall meet the requirements of BS EN/IEC 62053-23 class 3.

Active Energy Meters shall be configured such that the number of measuring elements is equal to or one less than the number of primary system conductors and matches the configuration provided for in clause 5.1. All Meters supplied via measurement transformers shall be set to the actual primary and secondary ratings of the measurement transformers and the ratios displayed as follows:-

- (i) For Meters separate from the display and/or Outstation the ratios shall be recorded on the nameplate of the Meter.
- (ii) For static Meters combined with the display and/or the Outstation, the ratios shall be displayed and downloaded during the interrogation process. In addition, the compensation factor that has been applied for measurement transformer errors and/or system losses, where this is a constant factor applied at security level 3 shall be similarly displayed and downloaded.

All Meters shall include a non-volatile Meter Register of cumulative energy for each measured quantity (see 4.1.1). The Meter Register(s) shall not roll-over more than once within the normal Meter reading cycle.

Meters which provide data to separate Outstations shall for this purpose provide an output per measured quantity (see 4.1.1).

For Meters using electronic displays due account shall be taken of the obligations to obtain Meter Readings, even when the circuit is de-energised.

All Meters shall be labelled or otherwise be readily identifiable with respect to their associated circuit(s), and in accordance with Appendix B.

## 5.4 Displays and Facilities for Registrant or Supplier Information

### 5.4.1 Displays

#### a) Mandatory Displays

The Metering Equipment shall display the following primary information (not necessarily simultaneously):-

- (i) measured quantities as per clause 4.1.1
- (ii) current time ("UTC") and date;
- (iii) the CT and/or VT ratios that the Meter has been programmed to, where appropriate (see clause 5.3); and
- (iv) the compensation factor that has been applied for measurement transformer errors and/or system losses, where this is a constant factor applied at security level 3 (i.e. where the Meter is combined with the display and/or Outstation).

#### b) Display Capabilities

The Metering Equipment shall be capable of enabling the display of the following information, as specified by the Registrant:-

- (i) Maximum Demand ("MD") for kW per programmable charging period, i.e. monthly or statistical review period;

- (ii) Maximum Demand ("MD") for kVA per programmable charging period, i.e. monthly or statistical review period;
- (iii) twice the kWh advance since the commencement of a current Demand Period, (i.e. "kW rising demand");
- (iv) twice the kVAh advance since the commencement of a current Demand Period, (i.e. "kVA rising demand");
- (v) cumulative MD;
- (vi) number of MD resets;
- (vii) multi-rate display sequence as specified by the Registrant, with a minimum of 8 rates selectable over the calendar year; and
- (viii) indication of reverse running for Active Energy, where appropriate.

MD shall be resettable at midnight of last day of charging period. Also resettable for part chargeable period demands. If a manual reset button is used then this shall be sealable.

#### 5.4.2 Facilities

The Metering Equipment shall be capable of providing a minimum of three pulse outputs for use locally by the Customer or Registrant, configured to their requirements taking account of the measured quantities (see clause 4.1.1):-

- (i) impulsing for Import kWh, Export kWh, Import kvarh, Export kvarh and kVAh - all to be voltage free contacts with a pulse rate at full load of between 0.1 and 2 pulses per second with a nominal duration of 80mS per pulse; and
- (ii) a 30 minute reset pulse, within a tolerance of +/- 0.1.% of the Demand Period, from voltage free contacts with a minimum duration of 0.5 seconds and a maximum duration of 10 seconds.

#### 5.5 Outstation

An Outstation System shall be provided which transfers data to and receives data from a Settlement Instation.

The Outstation data shall be to a format and protocol approved by the Panel in accordance with BSCP601 'Metering Protocol Approval and Compliance Testing'.

The Outstation shall facilitate the metering data to be read by instations other than the Settlement Instation provided the requirements of clause 7 of this Code of Practice are satisfied.

For the purpose of transferring stored metering data from the Outstation to the Settlement Instation, a unique Outstation identification code shall be provided.



Facilities shall be provided to select a relevant demand period from one of the following values:-

30, 20, 15, 10 and 5 minutes with in each case one demand period ending on the hour.

Normally, metering data will be collected by the Settlement Instation by a daily interrogation, but repeat collections of metering data shall be possible throughout the Outstation data storage period.

[P478] Where metering data is transferred to the Settlement instation automatically, the Outstation shall be capable of providing this data on a daily basis as a minimum. Time synchronisation of the Outstation shall be performed by the Half Hourly Data Collector communicating directly with the Outstation in accordance with BSCP 502 'Half Hourly Data Collection for SVA Metering Systems Registered in SMRS' or BSCP 702 'Advanced Data Service' as appropriate.

If not integral with the Meter, a separately fused supply shall be provided for each Outstation.

Where a separate modem associated with the Outstation System is used, then it shall be provided with a separately fused supply. Alternatively, line or battery powered modem types may be used.

#### 5.5.1 Data Storage

Data storage facilities shall be provided as follows:-

- (i) Each Demand Value shall be identifiable to its respective date and time;
- (ii) a storage capacity of 48 periods per day for a minimum of 90 days for all Demand Values as defined in clause 4.1.2. The stored values shall be integer multiples of kW and kvar;
- (iii) the resolution of the Active Energy transferred into the demand registers shall be within  $\pm 0.1\%$  (at full load) of the amount of Active Energy measured by the associated Meter;
- (iv) the value of energy measured in a Demand Period but not stored in that Demand Period shall be carried forward to the next Demand Period;
- (v) where a separate Outstation is used, cumulative register values shall be provided in the Outstation which shall be set to match and increment with the Meter Registers;
- (vi) in the event of an Outstation supply failure, the Outstation shall protect all data stored up to the time of the failure, and maintain the time accuracy in accordance with clause 5.5.2;
- (vii) partial Demand Values in which an Outstation supply failure and/or restoration occurs and zero values associated with an Outstation supply failure, shall be marked so that the Settlement Instation can identify them;

- (viii) to cater for continuous supply failures, the clock, calendar and all data shall be supported for a period of 20 days without an external supply connected;
- (ix) any "read" operation shall not delete or alter any stored metered data; and
- (x) an Outstation shall provide all the metered data stored from the commencement of any specified date upon request by the Settlement Instation.

#### 5.5.2 Time Keeping

- (i) The Outstation time shall be set to Co-ordinated Universal Time (UTC). No switching between UTC and British Summer Time (BST) shall occur for settlement data storage requirements.
- (ii) Time synchronisation of the Outstation may be performed remotely by the Settlement Instation as part of the normal interrogation process or locally by an Interrogation Unit.
- (iii) When time synchronisation occurs the relevant period(s) shall be marked with an alarm indication, as outlined in clause 5.5.3.
- (iv) The overall limits of error for the time keeping allowing for a failure to communicate with the Outstation for a period of 20 days shall be:-
  - a) the completion of each Demand Period shall be at a time which is within  $\pm 20$  seconds of UTC; and
  - b) the duration of each Demand Period shall be within  $\pm 0.1\%$ , except where time synchronisation has occurred in a Demand Period.

#### 5.5.3 Monitoring Facilities

Monitoring facilities shall be provided for each of the following conditions and shall be reported, as separate alarm indications, tagged to the relevant Demand Period(s), via remote communications and the local Interrogation Unit:-

- (i) phase failure of any one or combination of phases;
- (ii) Metering Equipment resets caused by other than a supply failure (where fitted);
- (iii) battery monitoring (where battery fitted);
- (iv) interrogation port access which changes time and/or date;
- (v) where different from (iv), Demand Period(s) which have been truncated or extended by a time synchronisation;
- (vi) interrogation port access which changes data other than time and/or date; and
- (vii) reverse running (if fitted).

In addition to (ii), detected errors in Metering Equipment functionality should be recorded as an event alarm with date and time.

Any alarm indications shall not be cancelled or deleted by the interrogation process and shall be retained with the data until overwritten. The alarm shall reset automatically when the abnormal condition has been cleared.

## 5.6 Communications

Outstation(s) shall provide both local and remote interrogation facilities, from separate ports.

To prevent unauthorised access to the data in the Metering Equipment a security scheme, as defined below and in Appendix D, shall be incorporated for both local and remote access. Separate security levels shall be provided for the following activities:-

(i) Level 1 - Password for:-

Read only of the following metering data, which shall be transferable on request during the interrogation process:-

- a) Outstation ID;
- b) Demand Values as defined in clause 4.1.2;
- c) cumulative measured quantities as defined in clause 4.1.1;
- d) Maximum Demand (MD) for kW or kVA per programmable charging period i.e. monthly, statistical review period;
- e) multi-rate cumulative Active Energy as specified by the Registrant;
- f) the measurement transformer ratios, where appropriate (see clause 5.3);
- g) the measurement transformer error correction factor and/or system loss factor, where this is a constant factor applied to the entire dynamic range of the Meter and the Meter is combined with the display and/or Outstation;
- h) alarm indications; and
- i) Outstation time and date.

(ii) Level 2 - Password for:-

- a) corrections to the time and/or date; and
- b) resetting of the MD.

(iii) Level 3 - Password for:-

Programming of:-

- a) the Displays and Facilities as defined in clause 5.4;
- b) the measurement transformer ratios, as appropriate (see clause 5.3);
- c) the measurement transformer error correction and/or system loss factor where this is a constant factor applied to the entire dynamic range of the Meter and the Meter is combined with the display and/or Outstation;
- d) the passwords for levels 1, 2 and 3; and
- e) programming of the schedule for automated transfer of Level 1 metering data.

In addition, it shall be possible to read additional information within the Metering Equipment to enable the programmed information to be confirmed.

- (iv) Level 4 - Password or- removal of Metering Equipment cover(s) necessitating the breaking of a seal for:-
  - a) calibration of the Metering Equipment;
  - b) setting the measurement transformer ratios, where appropriate (see clause 5.3);
  - c) setting the measurement transformer error correction and/or system loss factors where this is other than a single factor; and
  - d) programming the level 3 password and the level 4 password, if appropriate.

In addition to the functions specified for each level it shall be feasible to undertake the functions at the preceding level(s). e.g. at level 3 it shall also be possible to carry out the functions specified at levels 1 and 2. This need not apply at level 4 when access is obtained via removing the cover.

Different Passwords shall be utilised for each level, which shall only be circulated in accordance with the relevant BSC Procedure.

#### 5.6.1 Local Interrogation

- (i) An interrogation port shall be provided for each Outstation which preferably shall be an opto port to BS EN/IEC 62056-21, and with a serial protocol such as BS EN/IEC 62056-21.

#### 5.6.2 Remote Interrogation

Remote interrogation facilities shall be provided with error checking of the communications between the Outstation System and the Settlement instation.

It shall not be possible to disconnect the remote communications connection to/from the Outstation without the breaking of an appropriate seal (see clause 5.7).

Interrogation of an Outstation shall be possible using one of the following media:

- (i) Switched telephone networks e.g. PSTN or CTN;
- (ii) Public data networks e.g. PSN;
- (iii) Radio data networks e.g. GSM, Paknet or any equivalent;
- (iv) Customer own network;
- (v) Mains signalling / power line carrier;
- (vi) Low power radio;
- (vii) Satellite; or
- (viii) Cable TV.

In addition any further media may be used as approved by the Panel.

The actual media employed shall be in accordance with the requirements of the CDCA for CVA Metering Systems and the Supplier for SVA Metering Systems.

The data shall be to a format and protocol approved by the Panel in accordance with BSCP601 'Metering Protocol Approval and Compliance Testing'.

### 5.7 Appropriate Seals

All SVA Metering Equipment shall be sealed in accordance with the Retail Energy Code Scheme Meter Operation Code of Practice Agreement<sup>7</sup>.

All CVA Metering Equipment shall be sealed using Settlement Seals and in accordance with BSCP06.

### 5.8 Single Line Diagram

The following BSC Parties shall create, or secure the creation of, a Single Line Diagram (SLD) for all High Voltage (HV) and Extra High Voltage (EHV) connected sites, and any site, irrespective of its connection voltage, that requires a SVA Meter Operator Agent to submit a Complex Site Supplementary Information Form for a SVA Metering System ID.

SLDs shall be created<sup>8</sup> by the:

<sup>7</sup> The Meter Operation Code of Practice Agreement is an agreement between Public Distribution System Operators and SVA Meter Operator Agents in accordance with the Retail Energy Code

<sup>8</sup> Where an SLD is not created by the BSC Party responsible, that BSC Party is responsible for securing an SLD from the relevant network owner.

- NETSO for Grid Supply Points and Transmission System Boundary Points, including Interconnectors;
- LDSO for Distribution System Connection Points and Distribution System Boundary Points, including Interconnectors; or
- Registrant for Transmission System or Distribution System connected Customer or Generating Plant networks, including Complex Sites.

The SLD shall include:

- the Boundary Point(s) and/or System Connection Point(s), including the location of each Defined Metering Point(s), where different;
- all relevant circuits that have Settlement Metering Equipment that is, or is to be, registered for Settlement purposes and the physical location of the Settlement Metering Equipment (i.e. Actual Metering Point(s)). This includes Metering Equipment located within a Licence Exempt Distribution Network (private network) in an HV/EHV connected site or any Complex Site, irrespective of its connection voltage;
- accuracy classes of all Settlement measurement transformers; and
- the available ratio(s) of all Settlement measurement transformers and, where multi-ratio, the ratio selected.

An SLD shall be created, or updated, for:

- new HV and EHV connected sites;
- new connections, irrespective of that connection voltage, at existing HV and EHV connected sites;
- existing HV and EHV connected sites with existing CVA Boundary Point Settlement Metering Equipment where any new CVA Settlement Metering Equipment, located within a Licence Exempt Distribution Network (private network), is to be registered for Settlement purposes;
- any site, irrespective of its connection voltage, that requires a SVA Meter Operator Agent to submit a Complex Site Supplementary Information Form for a SVA Metering System ID;
- material changes to any registered, or to be registered, Settlement measurement transformers (i.e. replacement of current transformers and/or voltage transformers (on a like for like basis or otherwise), or changes to the ratio selected, where multi-ratio, for existing current transformers and/or voltage transformers). **Note:** Material changes to Settlement Metering Equipment may impact Metering Dispensations; and

- where Settlement Metering Equipment for a circuit is de-registered<sup>9</sup> and other existing Settlement Metering Equipment is still required for an HV or EHV site or Complex Site.

The relevant BSC Party shall provide a copy of the SLD in accordance with the relevant BSC Procedure. The SLD shall also be made available, on request, for inspection by the Panel or Technical Assurance Agent.

## 6. ASSOCIATED FACILITIES

### 6.1 Interrogation Unit

The operator may interrogate the Metering Equipment using an Interrogation Unit (IU). The IU may be used for programming, commissioning, maintenance/fault finding and when necessary the retrieval of stored metering data. The data retrieved by the IU shall be compatible with the Settlement Instation.

The IU shall have a built-in security system, such as a password, so that the IU becomes inoperative and non-interrogatable if it is lost, stolen, etc. The password can be applied at power-on of the device and/or on entry to the IU software application.

### 6.2 Additional Features

Additional features may be incorporated within or associated with the Metering Equipment provided but these must not interfere with or endanger the operation of the Settlement process.

## 7. ACCESS TO DATA

Access to metering data shall be in accordance with the provisions of the Code and the BSC Procedures referred to therein. Such access must not interfere with or endanger the security of the data or the collection process for Settlement purposes.

Access to stored metering data in Outstations shall also be the right of the Registrant and any party who has the permission of the Registrant.

<sup>9</sup> For example, where: Metering Equipment located within a Licence Exempt Distribution Network (private network) is to be de-registered and it is not the Boundary Point Metering Equipment; Metering Equipment that is not related to the last Boundary Point or Systems Connection Point is to be de-registered; an Associated Distribution System (ADS) is to be formed and the original Boundary Point Metering Equipment is to be de-registered.

**APPENDIX A DEFINED METERING POINTS**

For transfers of electricity between the following parties the Defined Metering Point (DMP) shall be at one of the following locations:-

1. For transfers between the Transmission System and a Distribution System operated by a Licensed Distribution System Operator where no other Party(s) are connected to the busbar, the DMP shall be at the point(s) of connection to the Transmission System.
2. For transfers between the Transmission System and a Distribution System operated by a Licensed Distribution System Operator where other Party(s) are connected to the busbar, the DMP shall be at the circuit connections to that Distribution System operated by a Licensed Distribution System Operator.
3. For transfers between the Transmission System and more than one Distribution System operated by a Licensed Distribution System Operator connected to the same busbar, the DMP shall be at the circuit connections of each Distribution System operated by a Licensed Distribution System Operator to such busbar.
4. For transfers between Distribution Systems operated by Licensed Distribution System Operators, not including a connection to the Transmission System, the DMP shall be at the point(s) of connection of the two Distribution Systems operated by Licensed Distribution System Operators.
5. For transfers between the Transmission System and:-
  - (i) Generating Plant, the DMP shall be at the point(s) of connection of the Generating Plant to the Transmission System.
  - (ii) An Offshore Power Park Module(s) comprising a single BM Unit, the DMP shall be at the point(s) of connection of the Offshore Power Park Module to the Transmission System. A Party may install Metering Equipment at either:
    - the DMP; or
    - a point or points on the Offshore Platform, other than the DMP. Such point or points shall be the Actual Metering Point for the purposes of this Code of Practice.
6. For transfers between a Distribution System operated by a Licensed Distribution System Operator and Generating Plant, the DMP shall be at the point(s) of connection of the generating station to the Distribution System operated by a Licensed Distribution System Operator.
7. For transfers between the Distribution System operated by a Licensed Distribution System Operator and a Customer, the DMP shall be at the point(s) of connection to the Distribution System operated by a Licensed Distribution System Operator.
8. For transfers between the Transmission System and a Customer, the DMP shall be at the point(s) of connection to the Transmission System.



**Formatted:** Font: 10 pt, Bold

9. For transfers between the Transmission System, or a Distribution System operated by a Licensed Distribution System Operator, and an External System the DMP shall be at the point(s) of connection of that External System to the Transmission System or to the Distribution System operated by a Licensed Distribution System Operator.
10. For transfers between an Offshore Transmission System (or Offshore Transmission System User Assets) and a Distribution System operated by a Licensed Distribution System Operator, the DMP shall be at the point(s) of connection to the Distribution System operated by a Licensed Distribution System Operator.

**Formatted:** Font: 10 pt, Bold

**APPENDIX B LABELLING OF METERS FOR IMPORT AND EXPORT**

A standard method of labelling Meters, test blocks, etc is necessary and based on the definitions for Import and Export the required labelling shall be as follows.

**1 ACTIVE ENERGY**

Meters or Meter Registers shall be labelled "Import" or "Export" according to Figure 1.

**2 REACTIVE ENERGY**

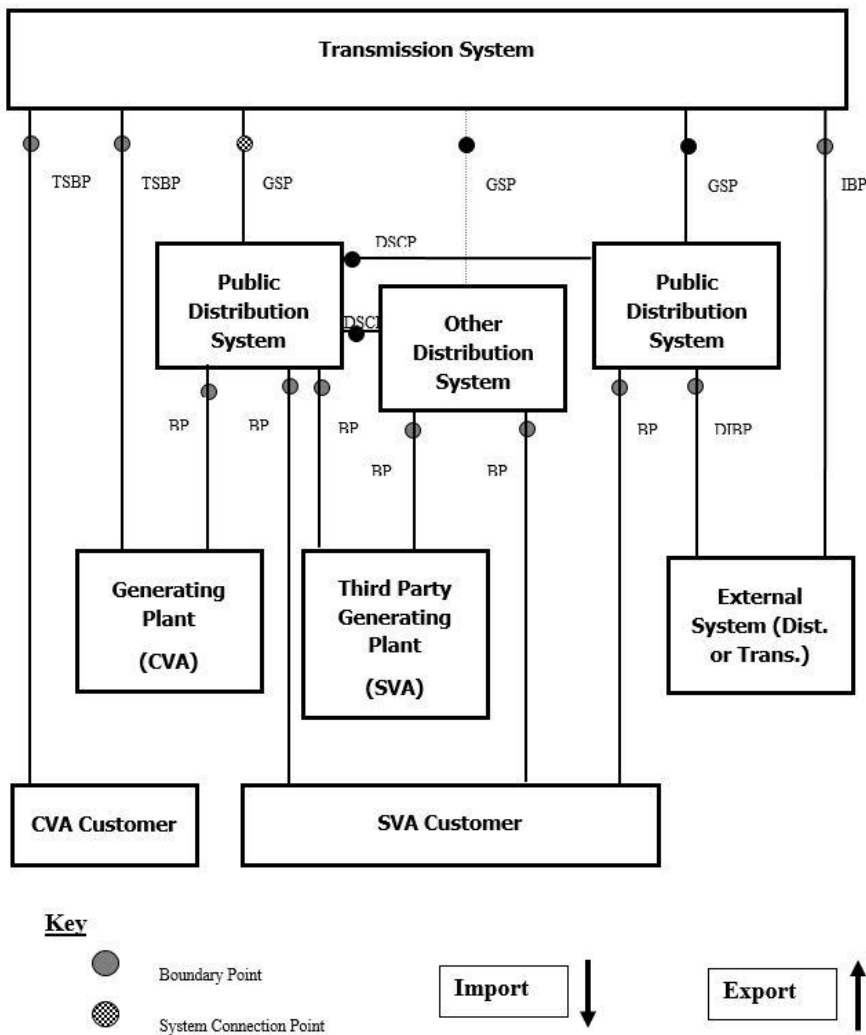
Within the context of this code the relationship between Active Energy and Reactive Energy can best be established by means of the power factor. The following table gives the relationship:-

Flow of Active Energy	Power Factor	Flow of Reactive Energy
Import	Lagging	Import
Import	Leading	Export
Import	Unity	Zero
Export	Lagging	Export
Export	Leading	Import
Export	Unity	Zero

Meters or Meter Registers for registering Import Reactive Energy should be labelled "Import" and those for registering Export Reactive Energy should be labelled "Export".

For Metering Equipment Registered in SMRS Meters or Registers shall be labelled in accordance with Figure 1 but with additional information for reactive Meters or Registers which identifies which Active Meter or Register it is associated with.

**FIGURE 1**  
IMPORT AND EXPORT ACIV ENERGY FLOWS CONVENTION



Import / Export Energy Flow Convention for the labelling of Meters

Import metering measures energy flows away from the Transmission System.  
Export metering measures energy flows towards the Transmission System.  
Energy flows between Distribution Systems is by bilateral agreement.

**Formatted:** Font: 10 pt, Bold

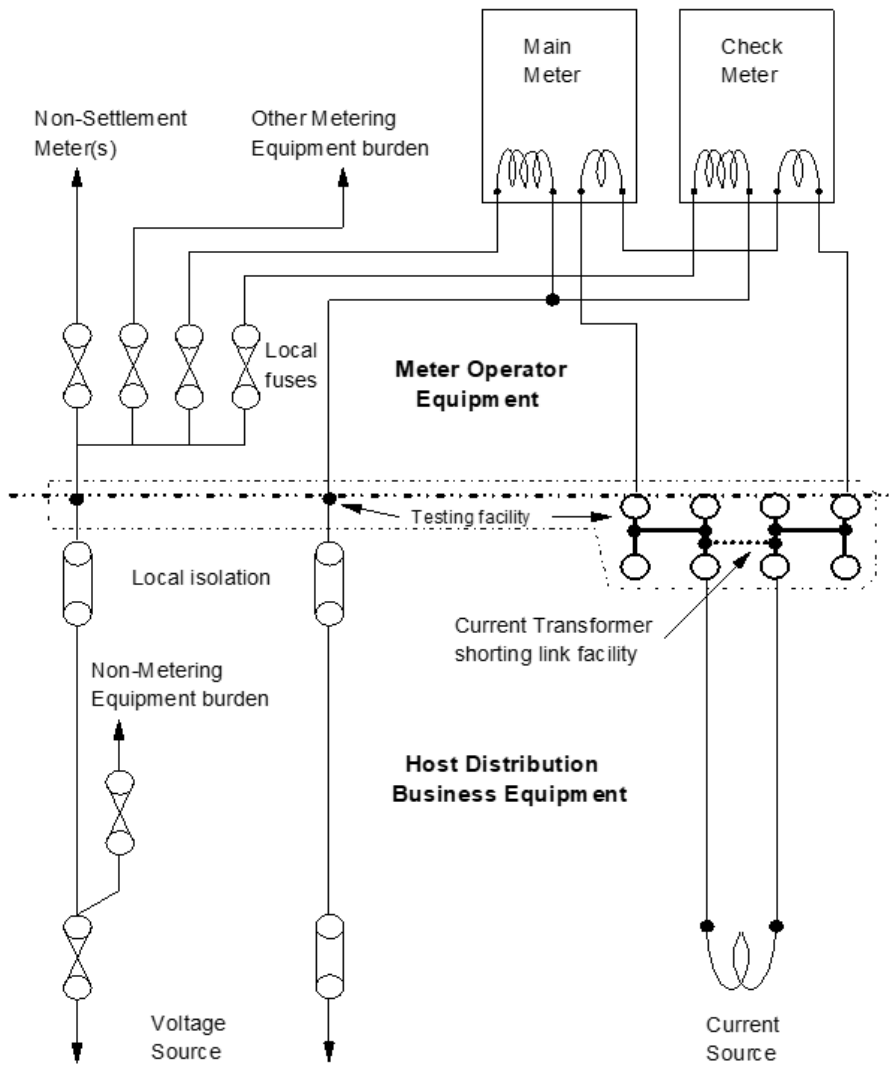
Key to abbreviations used in Import / Export Diagram

O	Metering Point
BP	Boundary Point
DIBP	Distribution Interconnector Boundary Point
DSCP	Distribution System Connection Point
GSP	Grid Supply Point
IBP	Interconnector Boundary Point
SCP	System Connection Point
TSBP	Transmission System Boundary Point

**Formatted:** Font: 10 pt, Bold

Formatted: Font: 10 pt, Bold

**APPENDIX C TYPICAL TESTING FACILITIES AND FUSING ARRANGEMENTS**



- KEY:**
- - - - - Boundary between Meter Operator Equipment and Host Distribution Business Equipment
  - - - - - Testing Facilities

Formatted: Font: 10 pt, Bold

Formatted: Font: 10 pt, Bold

## APPENDIX D      PASSWORDS

The Passwords specified in clause 5.6 shall be subject to the following additional requirements:-

1. The communications protocol employed shall ensure that the Password offered determines the level of access to the data within the Metering Equipment.
2. A counter logging the number of illegal attempts (i.e. Password comparison failures) to access Metering Equipment via the local and remote ports shall be incorporated into the log-on process. This counter shall reset to zero at every hour change (i.e. 0100, 0200, etc.).
3. If the counter reaches 7, then access is prohibited at all levels until the counter resets at the next hour change.

## APPENDIX E      OPTIONS FOR ENSURING METERS AND DISPLAYS CAN BE READ AND REMOTELY INTERROGATED

This Appendix sets out the options for complying with the requirements set out in clause 5 for certain types of supply where the voltage supply to the Metering Equipment would not normally be maintained for significant periods. e.g. those used for standby and those where the customer's restricted period load is controlled by the main incoming switchgear.

### 1.      Connection of Metering Equipment to the Live Side of the Supply

For new supplies the most practical solution would be to arrange for the Metering Equipment to be connected to the incoming side of the main switchgear so that it is normally energised even when the switchgear is open.

### 2.      Install Separate Meters and Displays/Outstations

Installation of separate Meters and Displays/Outstations would enable the latter to be connected to a normally energised supply. This would facilitate Local and Remote Interrogation and reading on a routine basis. The Meters would need to be provided with a permanent Meter Register to meet the requirements of clause 5.3.

### 3.      Combined Meters, Displays and Outstations with Separate Auxiliary Supply Facilities

Integrated products could be utilised which have separate input terminals to energise the data storage and display functions which could be connected to a normally energised supply, whilst the voltage supply to the Meter is from the relevant circuit.

### 4.      Combined Meters, Displays and Outstations Supplied via a Voltage Relay Selection Scheme

With this option the integrated equipment would be connected to an appropriate single phase voltage supply via a voltage relay selection scheme such that whilst this circuit was de-energised it would receive it's voltage supply only, from the adjacent circuit. However, when this circuit was energised it would be fed with both voltage and current from the measured circuit. This arrangement is shown in Figure 2 overleaf and is only suitable for use with CT operated Metering Systems.

APPENDIX E (cont'd)

FIGURE 2 SCHEMATIC DIAGRAM SHOWING A TYPICAL VOLTAGE SELECTION RELAY SCHEME ON HV OR LV, NORMALLY DE-ENERGISED SUPPLIES, TO ENABLE METER READING (CT OPERATED METERING SYSTEMS ONLY).

